

The packaging of this mattress is sealed prior to despatch and the mattress itself will be clean prior to closure. If the mattress has become exposed or damaged during transit, please contact us at the address below.



USER MANUAL

(please read carefully & retain for reference)

Pro-Mat-1 Mattress

CMHR foam mattress core with hinged profiling system. Two-way stretch, vapour permeable & removable cover with zipped closure.

Mattress weight – approx. 9kg

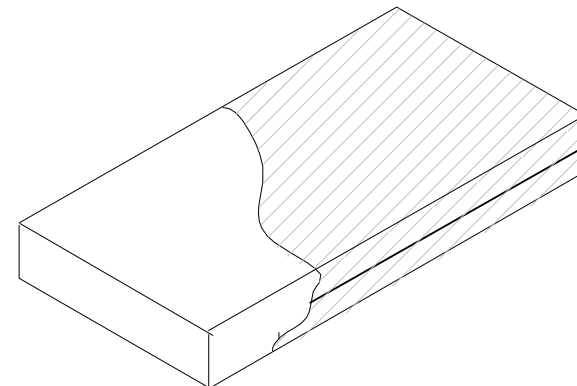
NEXUS DMS LTD

Unit 11 Lovett Road
Hampton Lovett Industrial Estate
Droitwich UK
WR9 0QG

Tel +44 (0)1905 774695 Fax +44 (0)1905 796081

Email sales@nexusdms.co.uk

Web: www.nexusdms.co.uk



July 2011

The manufacturing process operates under Class 1 of the Medical Devices Directive by fully complying with the essential requirements for the CE marking of this product.

Flammability

The Pro-Mat-1 Mattress meets the requirements of BS7177:2008 for medium hazard.

The interior materials meet the requirements of The Furniture & Furnishings (Fire Safety) Regulations 1988.

User Instructions

The Pro-Mat-1 Mattress has been designed for use on mesh, slat & solid mattress supports and can be used on profiling & static bed bases, by patients in the 'at risk' user category* with a weight guide of up to 185kgs / 29 stones. (NOTE: You should check the Safe Working Load of the bed on which the mattress is to be used to ensure compatibility with mattress & user.)

Ensure that the surface of the bed is clear from debris before positioning the mattress – debris can damage the coating of the fabric.

Frequent turning & rotation of multi-turn foam mattresses is essential to ensure that loading is evenly spread across both sides & both ends in order to minimise foam core fatigue in use.

The cover on this mattress is removable for cleaning purposes & to allow for inspection of the cover and the foam core for damage and contamination. It is recommended that frequent inspections of the cover are made to check for damage such as holes or cuts. Always ensure that, if removed, the cover is returned to the original foam core to avoid cross-contamination. Using this cover on a different foam core may also render the warranty invalid.

Instructions for use are screen printed onto the cover of the product for ease of reference.

* Indication of use based upon interface pressure readings – not a prescriptive criteria. Always defer to clinician's judgement.

Cleaning

For general cleaning and superficial dirt, use a disposable wipe with a solution of warm water and neutral detergent. Do not use abrasive or phenolic-based cleaners. Do not mangle or iron.

To disinfect in situ, use a 0.1% sodium hypochloride solution (1,000 ppm chlorine).

A removable cover, identified as contaminated should be laundered at 65°C for not less than 10 minutes or at 95°C for not less than 3 minutes. Do not mangle or iron. Spin and tumble-dry at not more than 130°C. Thoroughly rinse and dry the cover before re-use or storage. Store in a cool dry area.

Contaminated foam cores cannot be decontaminated and should be disposed of safely, as should any cover damaged by cuts, tears or 'sharps' penetration.

Warranty

Covered against faulty manufacture and materials by replacement.

Normal expected wear and tear in use is not covered.

All warranties are subject to the terms and conditions of trading.

Replacement value under warranty reduces proportionally to the period in use up to 3 years after purchase.

If making a claim under warranty please quote the production identification batch number printed on the interior foam core.

Storage & Care

Store the mattress flat – do not fold

Do not place heavy or sharp objects on the mattress surface when in use / in store.

Do not allow sharp objects to penetrate the cover coating (incl. hypodermic needles)

Keep the mattress clean

Regularly inspect the interior core and exterior cover of the mattress for damage or contamination.

Do not store in damp conditions