



OPERATIONS MANUAL

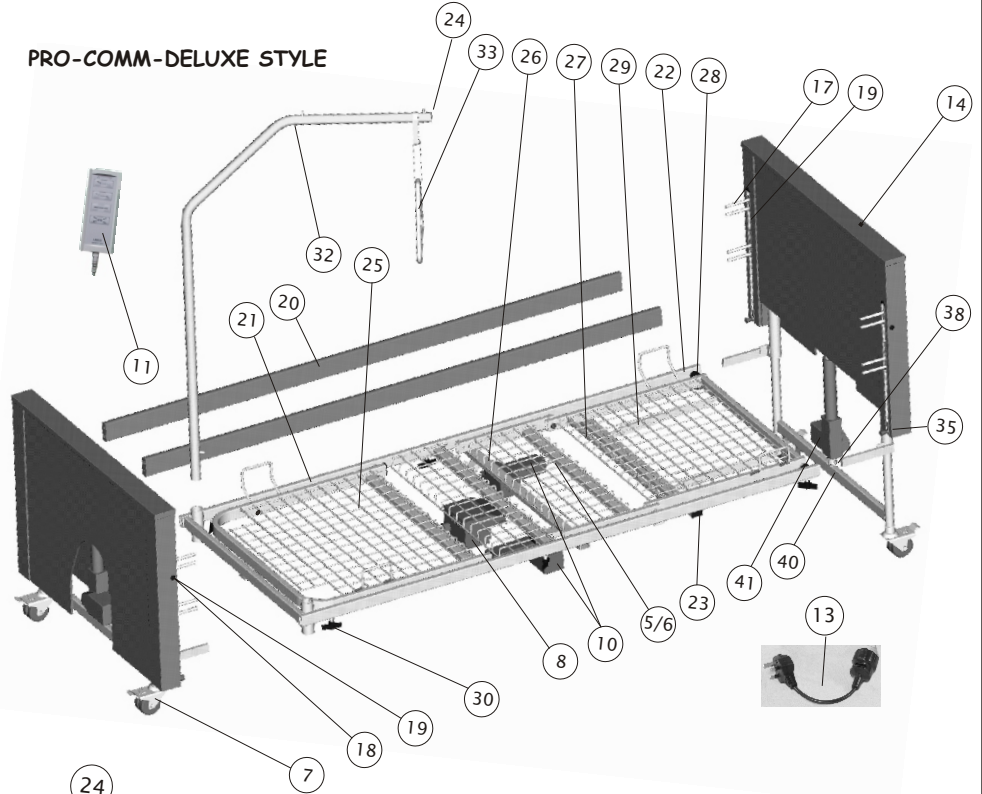
Operating Instructions

Annual maintenance schedule / safety check -
Pro-Comm Beds - Code CB2.....

DEPT: Warehouse
REF: OI-02
SHEET: 2 of 2
ISSUE: A
DATE: March 2005

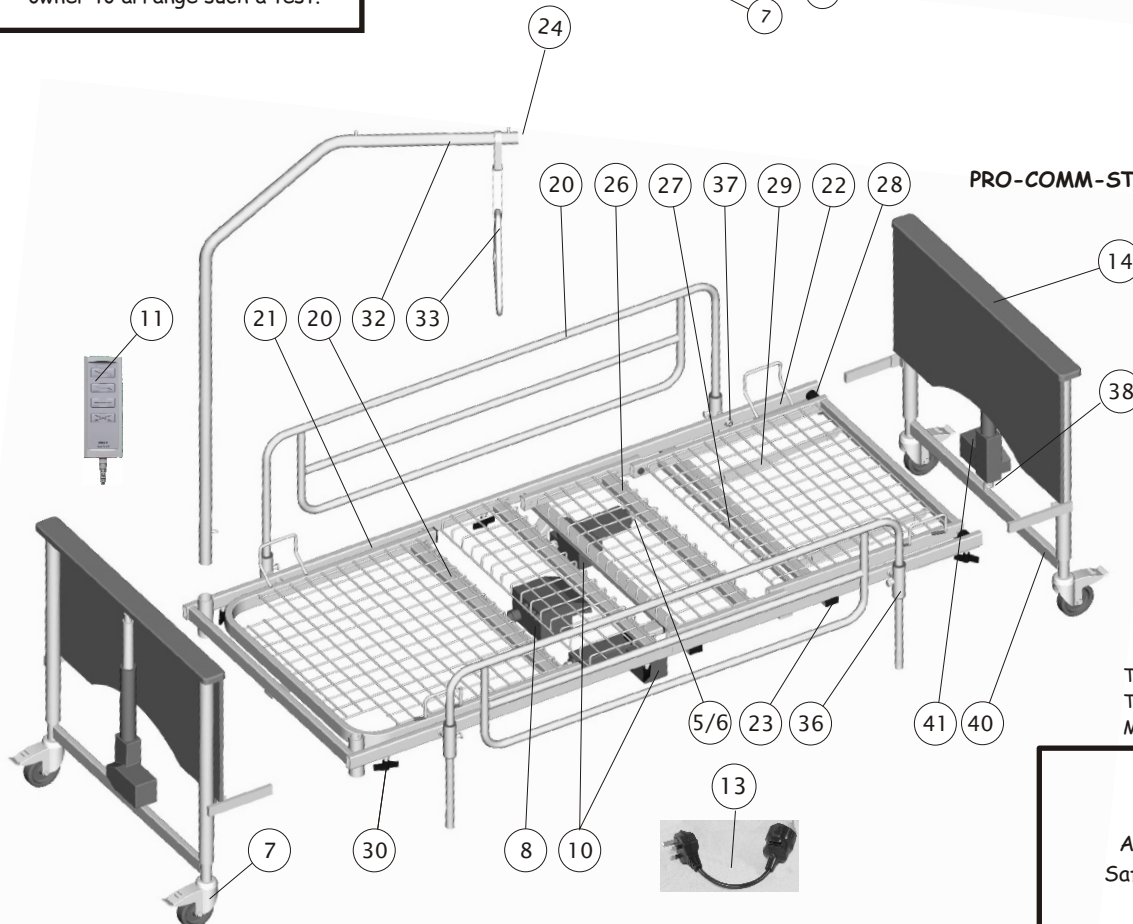
Supersedes all previous issues.

PRO-COMM-DELUXE STYLE



IMPORTANT NOTE
electrical appliance testing.
Nexus electrically powered beds
should be PAT2 tested annually
(Portable Appliance Test).
It is the responsibility of the bed
owner to arrange such a test.

PRO-COMM-STANDARD/SPECIAL STYLE



TYPICAL TYPE OF LABEL USED
TO RECORD DATE OF ANNUAL
MAINTENANCE/SAFETY CHECK



Annual Maintenance /
Safety Check completed

Date: _____

By: _____



OPERATIONS MANUAL

Operating Instructions

Annual maintenance schedule / safety check -
Pro-Comm Beds - Code CB2.....

DEPT: Warehouse
REF: OI-02
SHEET: 1 of 2
ISSUE: A
DATE: March 2005

Supersedes all previous issues.

(For more detailed instructions on dis-assembly & re-assembly of the bed refer to the Pro-Comm User Manual)

INITIAL TEST:

1. Test all electrically powered functions for correct operation (11 on exploded view over page).
2. Check cable runs during & after operation to ensure that no fouling occurs & that cables are not trapped or over-extended.

**** DISCONNECT THE MAINS 240 volt POWER CABLE FROM THE MAINS ELECTRICITY SOCKET ****

MAINTENANCE OF MATTRESS SUPPORT UNIT:

- 3.. Using the appropriate sized spanners &/or allen keys check that the nut/bolt/screw fixings at the 6 pivot points on the backlift and leglift sections are still securely fastened, but with sufficient 'slack' to allow the sections to hinge freely. Spray a little silicon grease on to the pivot points (wipe off any surplus).
4. Check the wing screws or grub screws where the two halves of the mattress support unit join together for tightness.
5. On the underside & at each end of the mattress support unit, where the head / foot bed ends are mounted, check the wingscrews / grubscrews for tightness.
6. Check the two mountings on each of the backlift & leglift actuators for security.
7. Check that there is no damage to the plugs & along the full length of each actuator cable.
8. On Pro-Comm-Standard beds (metal siderails) check the fixing of each of the four siderail slider brackets to ensure secure mounting. Check for correct up/down operation of the metal siderails and that the metal locking pins hold the rails securely. If necessary apply a little silicon grease to aid operation (wipe off any surplus)

GENERAL

9. On Pro-Comm-Standard beds (metal siderails) check the upper & lower mounting points on each of the 2 bed lift actuators for security.(6) Note that on Deluxe style beds (timber siderails) it is only possible to check the lower mounting points of these actuators - no attempt to dismantle head / foot boards should be made.
10. Check that there is no damage to the plugs & along the full length of each actuator cable.
11. Check the mountings of the main controller (8) for security.
12. Check that the mains cable is securely seated & locked into its socket on the main controller & that there is no damage anywhere along its length. Check integrity of safety connector (13) & 2-pin plug.
13. Check that the 4 castors are still mounted securely & that the brake on each functions correctly.
14. On Deluxe style beds (timber siderails) spray a little silicon grease into the 2 alloy slider channels & 2 release button mechanisms in each of the head & foot boards and check for correct operation of the 'lift & lock' function.
15. Complete & attach label to bed to record date of annual safety check & initials of engineer responsible. (See over for typical example)